

Marketing News

Cable Arrangement High Power Plug and Play Gate Driver

1SP0635

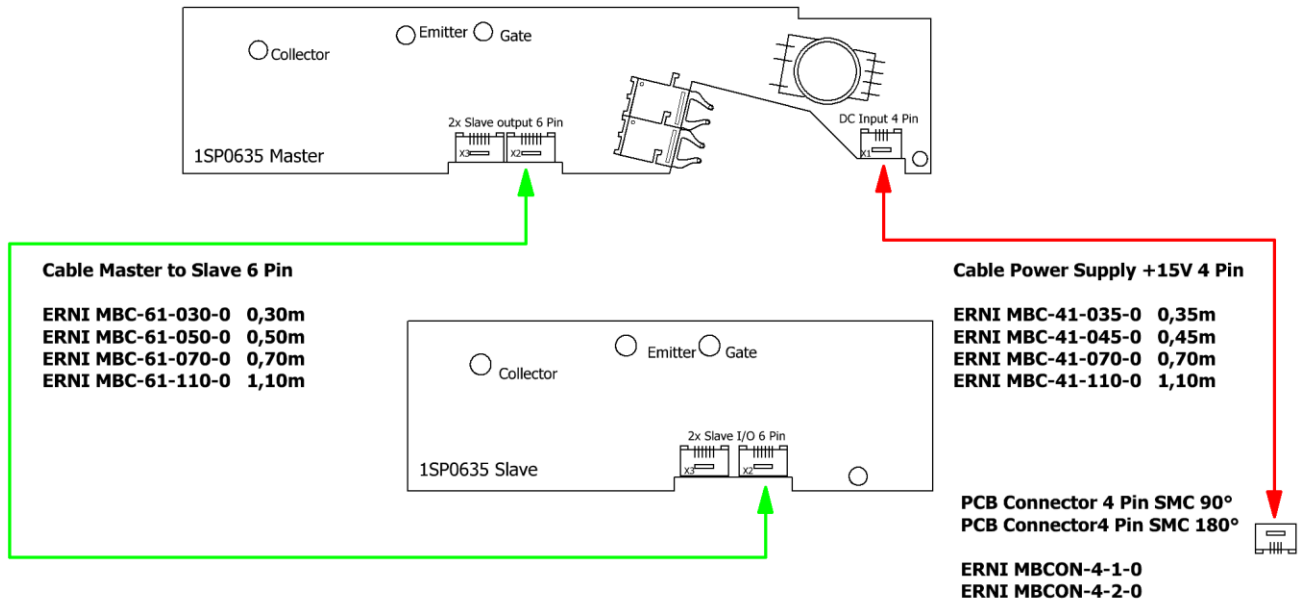


Fig. 1 Cable arrangement for 1SP0635 Master or Master and Slave

1SP0335 + ISO 5125 and 1SP0340 + ISO 5125

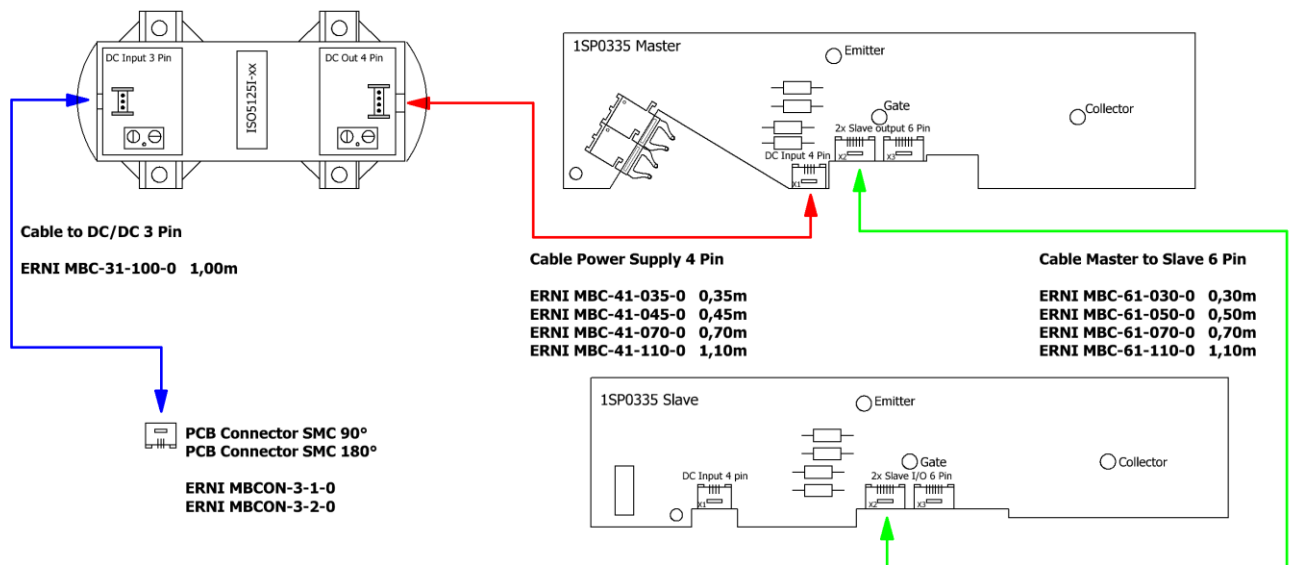


Fig. 2 Cable arrangement for 1SP0335/1SP0340 Master or Master and Slave + ISO5125I-xx

Marketing News

Custom Specific Assembly for Prototyping

In order to support customer designs as its best we offer also customized assembly of cables and connectors during the design phase of an inverter in prototype quantities. Please contact sales@igbt-driver.com for pricing and availability.

Legal Disclaimer

The statements, technical information and recommendations contained herein are believed to be accurate as of the date hereof. All parameters, numbers, values and other technical data included in the technical information were calculated and determined to our best knowledge in accordance with the relevant technical norms (if any). They may base on assumptions or operational conditions that do not necessarily apply in general. We exclude any representation or warranty, express or implied, in relation to the accuracy or completeness of the statements, technical information and recommendations contained herein. No responsibility is accepted for the accuracy or sufficiency of any of the statements, technical information, recommendations or opinions communicated and any liability for any direct, indirect or consequential loss or damage suffered by any person arising therefrom is expressly disclaimed.

Manufacturer

CT-Concept Technologie GmbH
A Power Integrations Company
Johann-Renfer-Strasse 15
2504 Biel-Bienne
Switzerland

Phone +41 - 32 - 344 47 47
Fax +41 - 32 - 344 47 40

E-mail Info@IGBT-Driver.com
Internet www.IGBT-Driver.com

© 2014 CT-Concept Technologie GmbH - Switzerland.
We reserve the right to make any technical modifications without prior notice.

All rights reserved.
Version 1.0 from 2014-04-07